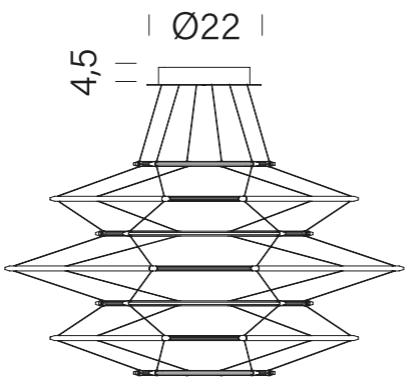


| 90 |



| 50 ± 2 |